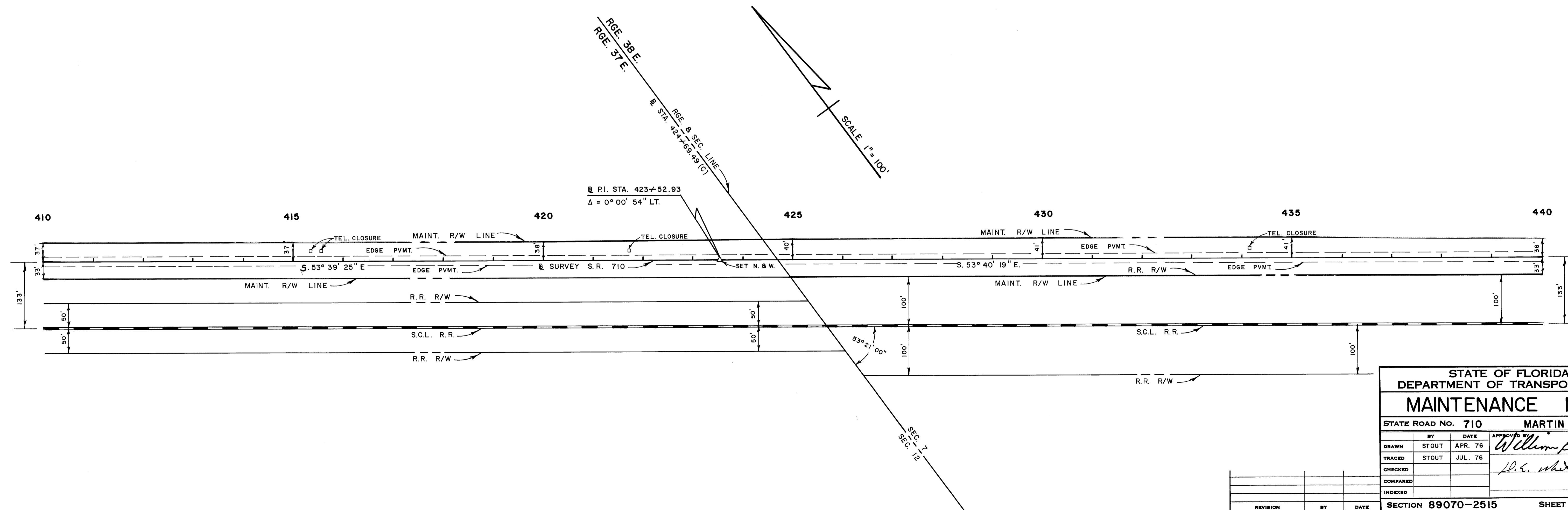
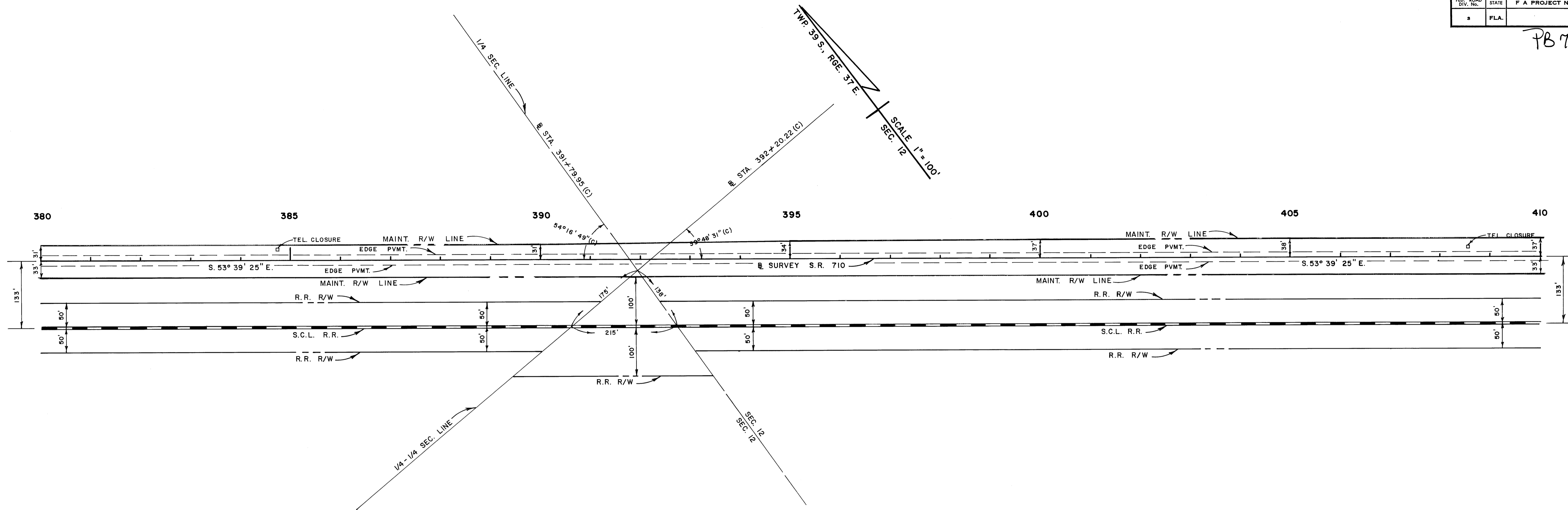


PB7 PG 4

FED. ROAD DIV. NO.	STATE	F A PROJECT NO.	FISCAL YEAR	SHEET NO.
3	FLA.			

PB7-4



STATE OF FLORIDA
DEPARTMENT OF TRANSPORTATION
MAINTENANCE MAP

STATE ROAD No. 710 MARTIN COUNTY

DRAWN	BY	DATE	APPROVED BY	DATE
STOUT	STOUT	APR. 76	<i>William F. Smith</i>	
TRACED	STOUT	JUL. 76		
CHECKED			<i>D. C. White</i>	9-10-75
COMPARED				
INDEXED				

SECTION 89070-2515 SHEET 3 OF 10

B.I. NO. 416146